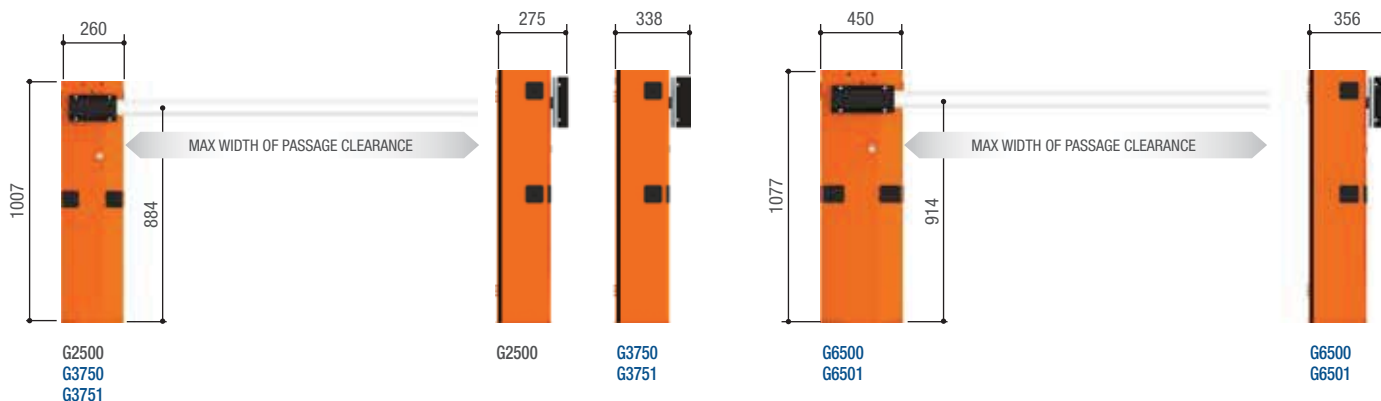




Ideal solutions for passageways in apartment blocks and industrial facilities

- Ideal for private or public parking lots.
- The model for passages up to 2.5 m comes in the 230 V AC version, while the models for passages up to 3.75 m (G3750 and G3751) and up to 6.5 m (G6500 and G6501) are in the 24 V DC version.
- There is also a version in AISI 304 steel.
- It can be installed either to the left or right. The mounting procedures are easy and quick.
- A truly complete range of accessories to customise your installation, which includes a choice of safety accessories for peace of mind during operation.
- The special joint is for installing Came barriers even when height is an issue when raising or lowering the boom, as in underground parking lots.

Dimensions (mm)



Limits to use

| MODELS | G6500 • G6501 | G3750 • G3751 | G2500 |
|------------------------------------|---------------|---------------|-------|
| Max width of passage clearance (m) | 6.5 | 3.75 | 2.5 |

Technical features

| MODELS | G6500 • G6501 | G3750 • G3751 | G2500 |
|------------------------------|-------------------|-------------------|-----------------|
| Protection rating (IP) | 54 | 54 | 54 |
| Power supply (V - 50/60 Hz) | 230 AC | 230 AC | 230 AC |
| Motor power supply (V) | 24 DC | 24 DC | 230 AC 50/60 Hz |
| Current draw (A) | 15 Max. | 15 Max. | 1 |
| Power (W) | 300 | 300 | 120 |
| Opening time at 90° (s) | 4 ÷ 8 | 2 ÷ 6 | 4 |
| Duty cycle (%) | INTENSIVE SERVICE | INTENSIVE SERVICE | 30 |
| Torque (Nm) | 600 | 200 | 70 |
| Operating temperature (°C) | -20 ÷ +55 | -20 ÷ +55 | -20 ÷ +55 |
| Motor thermo-protection (°C) | - | - | 150 |

THE COMPLETE RANGE





| Code | Description |
|---|--|
| Barrier with 230 V AC gearmotor and on-board control panel | |
| 001 G2500 | Barrier in galvanised and painted steel. Fitted to take accessories. |
| Accessories for: 001G2500 | |
| 001 G0251 | White painted aluminium boom complete with cap. Section: 60 x 40 x 2700 mm. |
| 001 G0461 | Package of 24 red adhesive refracting strips. |
| 001 G0257 | Joint. |
| 001 G02807 | Fixed support. |



THE COMPLETE RANGE

Code Description

Barriers with 24 V DC gearmotor and on-board control panel

| | |
|---|--|
| 001 G3750  | Barrier in galvanised and painted steel. Fitted to take accessories. |
| 001 G3751  | Barrier in AISI 304 satin-finish steel. Fitted to take accessories. |



Accessories for: 001G3750 - 001G3751

| | |
|-------------------|--|
| 001 G03750 | White painted aluminium boom with semi-oval section, complete with profile for covering the slot and rubber profile for impact protection. Boom length: 4 m. |
| 001 G0402 | White painted aluminium boom with round section. Ø 60 mm, boom length: 4.2 m. |



Accessories for: 001G03750

| | |
|---------------------|--|
| 001 G03756 | Inner reinforcement for boom with semi-oval section, necessary for passage clearance wider than 2.5 m. |
| 001 G03755DX | Joint for boom with semi-oval section for right-hand barrier. |
| 001 G03755SX | Joint for boom with semi-oval section for left-hand barrier. |



Guide to the choice of the springs for the 001G0402 boom

| MODELS | WIDTH OF THE PASSAGE CLEARANCE | | | |
|--|--------------------------------|---------|-----------|------------|
| | 1.5 ÷ 2 | 2 ÷ 2.5 | 2.5 ÷ 3.5 | 3.5 ÷ 3.75 |
| Boom with 001G0465 rack or 001G02808 movable support | ● | ● | ● | ● |
| Boom with 001G0465 rack or 001G02808 movable support | ● | ● | | |

Guide to the choice of the springs for the 001G0602 boom




| MODELS | WIDTH OF THE PASSAGE CLEARANCE | | | | |
|--|--------------------------------|-------|-------|-------|---------|
| | 2 ÷ 3 | 3 ÷ 4 | 4 ÷ 5 | 5 ÷ 6 | 6 ÷ 6.5 |
| Boom with 001G0465 rack or 001G02808 movable support | ● | ● | ● | ● | ● |
| Boom with 001G0465 rack or 001G02808 movable support | ● | ● | ● | ● | ● |

Guide to the choice of the springs for the 001G03750 boom

| MODELS | WIDTH OF THE PASSAGE CLEARANCE | | | | | |
|---|--------------------------------|-------------|-------------|-------------|------------|------------|
| | 1.5 ÷ 1.75 | 1.75 ÷ 2.25 | 2.25 ÷ 2.75 | 2.75 ÷ 3.25 | 3.25 ÷ 3.5 | 3.5 ÷ 3.75 |
| Boom with profile for impact protection | ● | ● | ● | ● | ● | ● |
| Boom with profile for impact protection and 001G028401 luminous cord | ● | ● | ● | ● | ● | ● |
| Boom with 001G0465 rack | ● | ● | ● | ● | ● | ● |
| Boom with 001G028401 luminous cord and 001G0465 rack | ● | ● | ● | ● | ● | ● |
| Boom with profile for impact protection and 001G02808 movable support | ● | ● | ● | ● | ● | ● |
| Boom with profile for impact protection, 001G028401 luminous cord and 001G02808 movable support | ● | ● | ● | ● | ● | ● |

Guide to the choice of the springs for the 001G06850 boom

| MODELS | WIDTH OF THE PASSAGE CLEARANCE | | | | | | | | |
|--|--------------------------------|---------|---------|---------|---------|---------|---------|---------|---------|
| | 2 ÷ 2.5 | 2.5 ÷ 3 | 3 ÷ 3.5 | 3.5 ÷ 4 | 4 ÷ 4.5 | 4.5 ÷ 5 | 5 ÷ 5.5 | 5.5 ÷ 6 | 6 ÷ 6.5 |
| Boom | ● | ● | ● | ● | ● | ● | ● | ● | ● |
| Boom with 001G02808 movable support | ● | ● | ● | ● | ● | ● | ● | ● | ● |
| Boom with 001G028401 luminous cord | ● | ● | ● | ● | ● | ● | ● | ● | ● |
| Boom with 001G02808 movable support and 001G028401 luminous cord | ● | ● | ● | ● | ● | ● | ● | ● | ● |
| Boom with 001G0465 rack | ● | ● | ● | ● | ● | ● | ● | ● | ● |
| Boom with 001G0465 rack and 001G028401 luminous cord | ● | ● | ● | ● | ● | ● | ● | ● | ● |

| Code | Description |
|--|---|
| Barriers with 24 V DC gearmotor and on-board control panel | |
| 001 G6500  | Barrier in galvanised and painted steel. Fitted to take accessories. |
| 001 G6501  | Barrier in AISI 304 satin-finish steel. Fitted to take accessories. |
| Accessories for: 001G6500 - 001G6501 | |
| 001 G0602 | White painted aluminium boom with round section. Ø 100 mm, boom length: 6.85 m. |
| 001 G06850 | White painted aluminium boom with round section, complete with rubber profile for covering the slot. Ø 100 mm, boom length: 6.85 m. |
| Accessories for: 001G03750 and 001G06850 | |
| 001 G028401 | LED luminous cord. |
| 001 G028402 | Connection cable for luminous cord. |
| Accessory for: 001G06850 | |
| 001 G06802 | Inner reinforcement for boom with round section, necessary for passage clearance wider than 4 m. |
| Accessory for: 001G3750 - 001G3751 - 001G6500 - 001G6501 | |
| 002 LB38  | Card for emergency functioning during blackouts and battery recharging. (N. 3 12 V - 7 Ah batteries - not supplied). |
| Balancing springs | |
| 001 G02040 | Ø 40 mm balancing spring. |
| 001 G04060 | Ø 50 mm balancing spring. |
| 001 G06080 | Ø 55 mm balancing spring. |
| Accessories | |
| 001 G0465 | Rack in painted aluminium (L = 2 m modules). |
| 001 G02807 | Fixed support. |
| 001 G02808 | Movable support. |
| 001 G02809 | Package of 20 red adhesive refracting strips. |
| 001 G0468 | Support for applying the DELTA-I and DELTA-SI photocells on the cabinet. |
| 001 G04601 | Adapter for applying the Kiaro series flashing light (the KIAROS support is necessary). |



CAUTION! RESPECT LIMITS TO USE INDICATED

The 001G0468 item cannot be used when the barrier mounts a boom with 001G0465 rack or 001G02808 movable support.
 001G02808: for passage clearance up to max 3 m (for the 001G3750 and 001G3751 barriers) and up to max 5 m (for the 001G6500 and 001G6501 barriers).
 It is MANDATORY the use of the 001G03756 reinforcement in the following situation:
 - ALWAYS (when the boom mounts the 001G028401 luminous cord);
 - for passage clearance wider than 2.5 m, when the boom mounts the 001G02808 movable support or the 001G0465 rack;
 - for passage clearance wider than 3 m.
 It is MANDATORY the use of the 001G02807 fixed support for passage clearance wider than 3 m. The 001G0465 and the 001G02808 items cannot be used/mounted together.